



FITTING INSTRUCTIONS

Part Number: 3232210 / 3432210
Product DISCOVERY 4 BULLBAR AND WINCH BULL BAR
Description:
Suited to LAND ROVER DISCOVERY 4 MY09-13
vehicle/s:

WARNING

REGARDING VEHICLES EQUIPPED WITH SRS AIRBAG:

When installed in accordance with these instructions, the front protection bar does not affect operation of the SRS airbag.

ALSO, NOTE THE FOLLOWING:

- ◆ This product must be installed exactly as per these instructions using only the hardware supplied.
- ◆ In the event of damage to any bull bar component, contact your nearest authorised ARB stockist. Repairs or modifications to the impact absorption system must not be attempted.
- ◆ Do not use this product for any vehicle make or model, other than those specified by ARB.
- ◆ Do not remove labels from this bull bar.
- ◆ This product or its fixing must not be modified in any way.
- ◆ The installation of this product may require the use of specialized tools and/or techniques
- ◆ It is recommended that this product is only installed by trained personnel
- ◆ These instructions are correct as at the publication date. ARB Corporation Ltd. cannot be held responsible for the impact of any changes subsequently made by the vehicle manufacturer
- ◆ During installation, it is the duty of the installer to check correct operation/clearances of all components
- ◆ Work safely at all times
- ◆ Unless otherwise instructed, tighten fasteners to specified torque

ARB 4x4 ACCESSORIES

Corporate Head Office

42-44 Garden St
Kilsyth, Victoria
AUSTRALIA 3137

Tel: +61 (3) 9761 6622
Fax: +61 (3) 9761 6807

Australian enquiries
North & South American enquiries
Other international enquiries

sales@arb.com.au
sales@arbusa.com
exports@arb.com.au

www.arb.com.au

GENERAL CARE AND MAINTENANCE

By choosing an ARB Bar, you have bought a product that is one of the most sought after 4WD products in the world. Your bar is a properly engineered, reliable, quality accessory that represents excellent value. To keep your bar in original condition it is important to care and maintain it following these recommendations:

- Prior to exposure to the weather your bar should be treated to a Carnauba based polish on all exposed surfaces. It is recommended that this is performed on a six monthly basis or following exposure to salt, mud, sand or other contaminants.
- As part of any Pre Trip Preparation, or on an annual basis, it is recommended that a thorough visual inspection of the bar is carried out, making sure that all bolts and other components are torqued to the correct specification. Also check that all wiring sheaths, connectors, and fittings are free of damage. Replace any components as necessary. This service can be performed by your local authorized ARB Stockist.

FITTING REQUIREMENTS

REQUIRED TOOLS FOR FITMENT OF PRODUCT:

| | |
|-----------------------------|-----------------|
| POWER DRILL | SCREWDRIVER SET |
| METRIC SOCKETS AND SPANNERS | TORX BIT SET |
| SHARP KNIFE | MARKER PEN |
| TORQUE WRENCH | |

HAVE AVAILABLE THESE SAFETY ITEMS WHEN FITTING PRODUCT:

| | |
|--------------------|---|
| Protective eyewear |  |
| Hearing protection |  |

NOTE: 'WARNING' notes in the fitting procedure relate to OHS situations, where to avoid a potentially hazardous situation it is suggested that protective safety gear be worn or a safe work procedure be employed. If these notes and warnings are not heeded, injury may result.

FASTENER TORQUE SETTINGS:

| SIZE | Torque Nm | Torque lbft |
|------|-----------|-------------|
| M6 | 9Nm | 7lbft |
| M8 | 22Nm | 16lbft |
| M10 | 44Nm | 32lbft |
| M12 | 77Nm | 57lbft |

| USE | PART no | QTY | DESCRIPTION |
|---|----------|--------------------------------|--------------------------------|
| IMPACT ABSORBER TO CHASSIS | 3758124L | 1 | CHASSIS MOUNT BRACKET ASSEMBLY |
| | 3758124R | 1 | CHASSIS MOUNT BRACKET ASSEMBLY |
| | 6151204 | 4 | BOLT M10 x 35 x 1.5p HEX HEAD |
| | 6151321 | 4 | NUT FLANGE M10 x 1.5 |
| | 4581040 | 4 | WASHER FLAT M10 |
| | 4581048 | 4 | WASHER SPRING M10 |
| | 6151022 | 8 | BOLT M8 x 25mm HEX HEAD |
| | 4581044 | 8 | WASHER FLAT M8 |
| | 4581046 | 8 | WASHER SPRING M8 |
| | CR08 | 1 | SPIRAL WRAP |
| BULL BAR TO IMPACT ABSORBER | 6151204 | 8 | BOLT M10 x 35 x 1.5p HEX HEAD |
| | 6151321 | 8 | NUT FLANGE M10 x 1.5 |
| | 4581040 | 8 | WASHER FLAT M10 |
| | 4581048 | 8 | WASHER SPRING M10 |
| BUFFERS TO BULL BAR | 3162470L | 1 | BUFFER 260 x 230 STANDARD |
| | 3162470R | 1 | BUFFER 260 x 230 STANDARD |
| | 6151128 | 12 | NUT FLANGE M6 |
| LICENCE PLATE TO BULL BAR | 6821189 | 2 | GROMMET ROUND FL |
| | 6151384 | 2 | SCREW PAN HD PHIL BLK 5 X 16mm |
| FOG LIGHTS, INDICATORS AND SENSORS (IF FITTED) TO BULL BAR | 6151300 | 4 | CAGE NUT M6 |
| | 6821116 | 4 | NYLON PLUG |
| | 3758046L | 1 | FOG LIGHT BRACKET |
| | 3758046R | 1 | FOG LIGHT BRACKET |
| | 3756778L | 1 | COVER MOUNT BRACKET |
| | 3756778R | 1 | COVER MOUNT BRACKET |
| | 6821287 | 1 | LED COMBINATION LAMP KIT |
| | 6151309 | 6 | CAPTIVE U-TYPE NUT |
| | 3195467 | 2 | BLANKING PLATE FOG LIGHT |
| | 6151317 | 8 | SCREW 8-18 x 5/8 PAN HEAD |
| | 6151213 | 8 | BOLT M6 x 20mm BLACK ZINC |
| | 4581082 | 8 | WASHER FLAT M6 x 20 BLACK ZINC |
| | 4581287 | 4 | WASHER SPRING M6 BLACK ZINC |
| | 6151128 | 4 | NUT FLANGE M6 |
| | 6151308 | 4 | SCREW 8-AB X 1" PAN HEAD |
| | 665044 | 1 | 3M PRIMER STICK |
| 6781437 | 1 | TAPE 3M - 2.3MM VHB 20X25 8PCS | |
| 3163091 | 4 | PLUG BLANKING BLK | |
| WINCH TO BULL BAR (SUPPLIED WITH FITTING KIT 6171975 ONLY) | 3756499 | 1 | CONTROL BOX MOUNT |
| | BLB850 | 3 | WINCH LEAD 850mm BLACK |
| | 6151074 | 2 | BOLT 3/8" x 1 3/4" HEX HEAD |
| | 6151073 | 2 | BOLT 3/8" x 1 1/2" HEX HEAD |
| | 4581040 | 4 | WASHER FLAT M10 |
| | 4581048 | 4 | WASHER SPRING M10 |
| | 6151021 | 2 | BOLT M8 x 20mm |
| | 6151132 | 2 | NUT FLANGE M8 |
| | 4581044 | 2 | WASHER FLAT M8 |
| | 180302 | 6 | CABLE TIES |

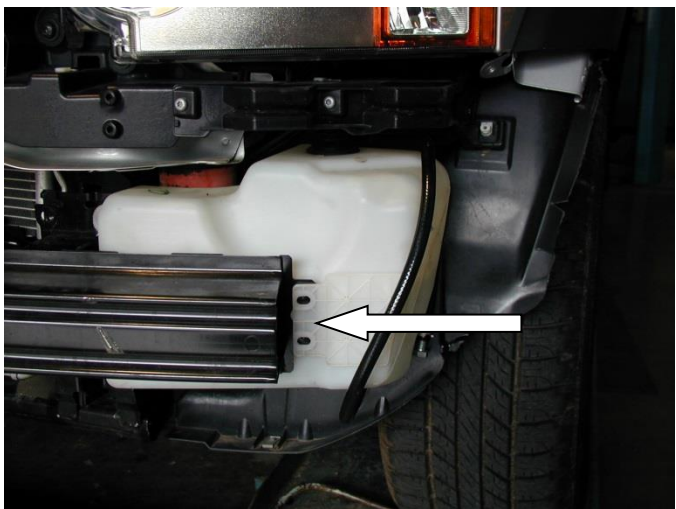
| USE | PART No | QTY | DESCRIPTION |
|--|----------|-----|--------------------------------|
| WASHER BOTTLE SUPPORT TO IMPACT ABSORBERS | 3756801 | 2 | WASHER BOTTLE SUPPORT BRACKET |
| | 6151301 | 4 | CAGE NUT M8 |
| | 6151021 | 4 | BOLT M8 x 20mm HEX HEAD |
| | 4581044 | 4 | WASHER FLAT M8 |
| | 4581046 | 4 | WASHER SPRING M8 |
| | 6151300 | 2 | CAGE NUT M6 |
| | 6151213 | 2 | BOLT M6 x 20mm BLACK ZINC |
| | 4581082 | 2 | WASHER FLAT M6 x 20 BLACK ZINC |
| | 4581287 | 2 | WASHER SPRING M6 BLACK ZINC |
| STONE TRAY & FAIRLEAD COVER TO BULL BAR | 6542109 | 1 | STONE TRAY |
| | 3758045 | 1 | FAIRLEAD COVER |
| | 6151357 | 4 | BOLT M10 SEMS |
| | 6151304 | 4 | CAGE NUT M10 |
| | 6151300 | 4 | CAGE NUT M6 |
| | 6151213 | 6 | BOLT M6 x 20mm BLACK ZINC |
| | 4581082 | 6 | WASHER FLAT M6 x 20 BLACK ZINC |
| | 4581287 | 6 | WASHER SPRING M6 BLACK ZINC |
| WASHER BOTTLE STONE TRAYS TO BULL BAR | 6542110L | 1 | WASHER BOTTLE TRAY |
| | 6542110R | 1 | WASHER BOTTLE TRAY |
| | 6151301 | 2 | CAGE NUT M8 |
| | 6151300 | 10 | CAGE NUT M6 |
| | 6151262 | 2 | BOLT M8 x 20mm BLACK ZINC |
| | 4581045 | 2 | WASHER FLAT M8 BLACK ZINC |
| | 4581047 | 2 | WASHER SPRING M8 BLACK ZINC |
| | 6151213 | 10 | BOLT M6 x 20mm BLACK ZINC |
| | 4581082 | 10 | WASHER FLAT M6 x 20 BLACK ZINC |
| | 4581287 | 10 | WASHER SPRING M6 BLACK ZINC |
| RETAINING FENDER LINERS TO WASHER BOTTLE TRAYS | 6151300 | 4 | CAGE NUT M6 |
| | 6151213 | 4 | BOLT M6 x 20mm BLACK ZINC |
| | 4581082 | 4 | WASHER FLAT M6 x 20 BLACK ZINC |
| | 4581287 | 4 | WASHER SPRING M6 BLACK ZINC |
| MISCELLANEOUS | 180302 | 10 | CABLE TIES |
| | 3162152 | 2 | AERIAL PLUG |
| | 6191009 | 1 | PLASTIC SIDE MOULDING |

VEHICLE PREPARATION

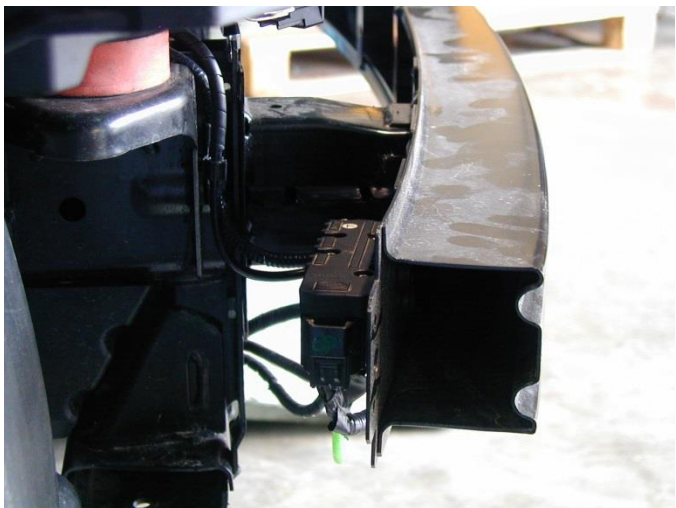


1. Remove the grill and then the headlights from the vehicle.
2. Remove the flares from the vehicle.
3. Remove the bumper bar from the vehicle.

NOTE: Be prepared to block or clamp off the washer bottles lines to prevent water leaking on the ground.

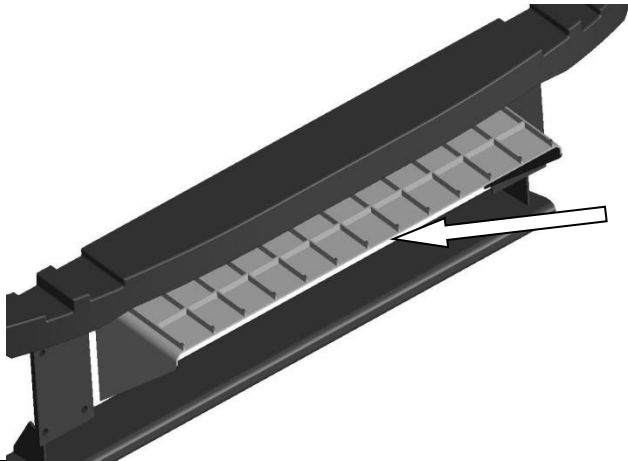


4. Remove the two bolts attaching the bumper cross bar to the washer bottle.



5. On air suspension models, remove the solenoid pack attached to the right hand side of the crossbar.
6. Remove the crossbar from the vehicle.

VEHICLE PREPARATION



7. If fitting a winch the plastic air ram will need to be removed.

8. Find the clearance, indicator and earth wires for each headlight using a test lamp.

Note: Removal of the headlamp will make this easier

9. Connect the looms supplied in kit 6821287 to the items located above following fitting instructions 3789197



10. Once satisfied with the cut of the flare, replace the headlight and the grill.



11. Clean the flare where it has been cut and attach the plastic side moulding to the flare.
12. Cut the plastic side moulding with a Stanley knife along the back edge of the flare.
13. It is recommended that the lower portion of the bodywork below the flare cut off be painted black. Clean the surface with prep wash then mask the surrounding area.

VEHICLE PREPARATION



14. If fitted, remove the fog lights from the bumper bar and keep the six retaining screws using a torx driver.
15. Remove the fog light wiring loom from the bumper bar.



16. Unclip the headlight washer hose from the nozzle and remove both the headlight washers and the hose.



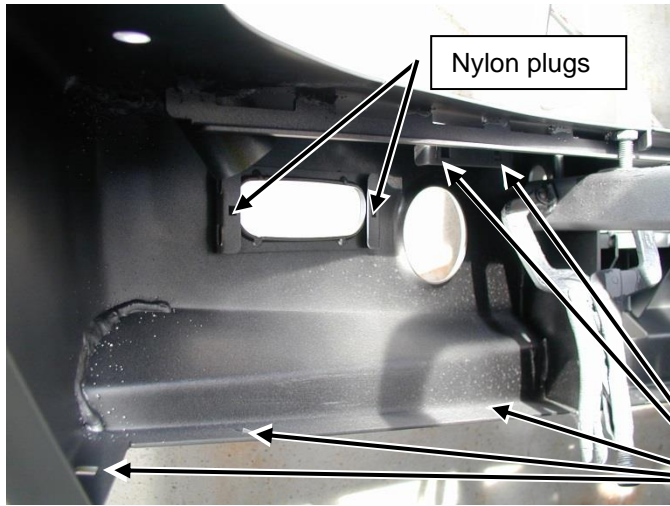
If air suspension not fitted go to step 18.

17. Cut the supplied spiral wrap in half. Wind the spiral wrap around the two lower air hoses that connect to the suspension actuators.



18. If vehicle is fitted with parking sensors carefully remove the sensor retention mouldings from the bumper bar using a chisel or other flat blade tool. Keep the silicon grommet in a safe place with sensor as these will be used later for fitment.

BULL BAR SETUP

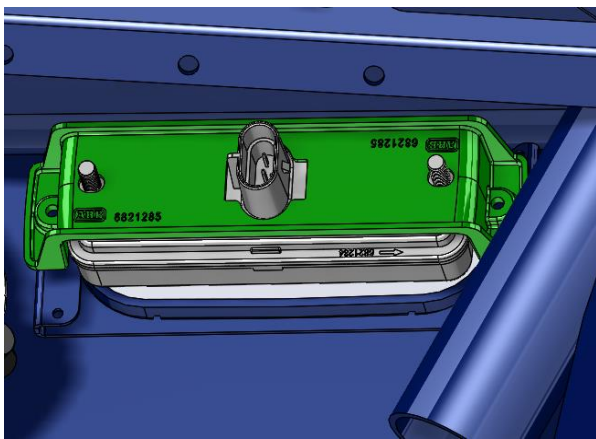


19. Fit both the right and left hand buffers to the bar using M6 flange nuts. **DO NOT OVER TIGHTEN.**

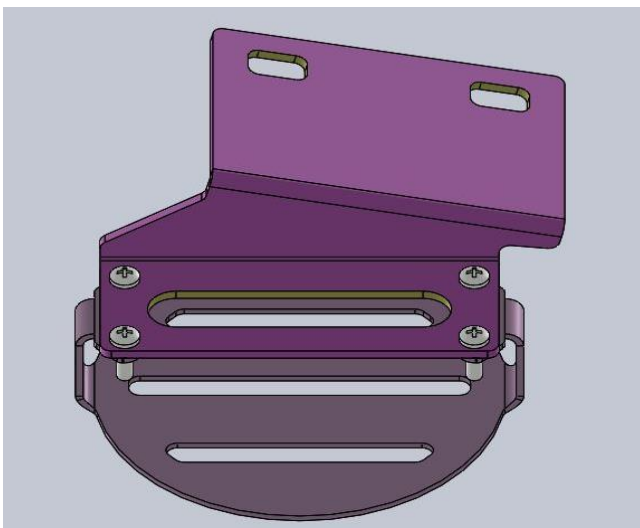
20. Fit 14 M6 cage nuts (10 into the wings and four into the main pan) and four nylon plugs to the bar.

21. Fit 2 nylon plugs into the square holes in each side of the bar.

M6 cage nuts



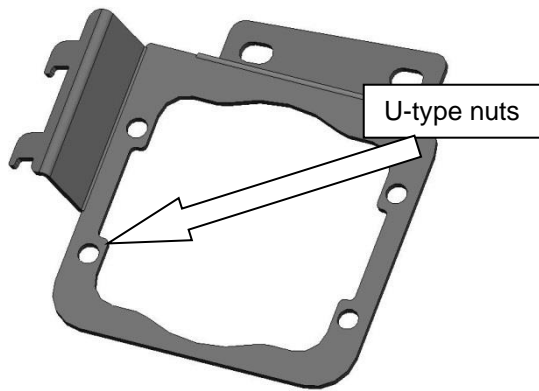
22. Install the indicators into the bar as per fitting instructions 3789197 supplied in the LED indicator / clearance lamp kit 6821287.



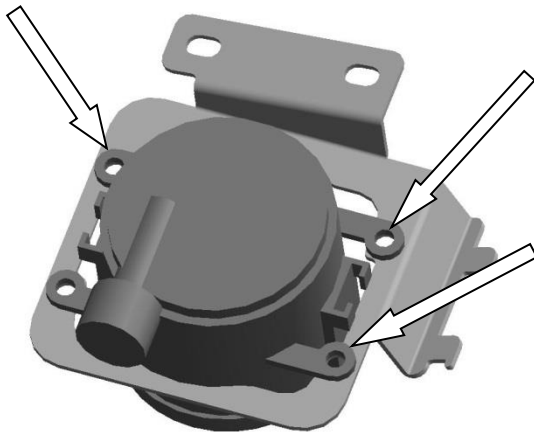
23. If there are no fog lights fitted to the vehicle, fit the fog light insert supplied to the bar. Fit the fog insert bracket to the fog light insert with the 4 pan head screws per side as shown opposite.



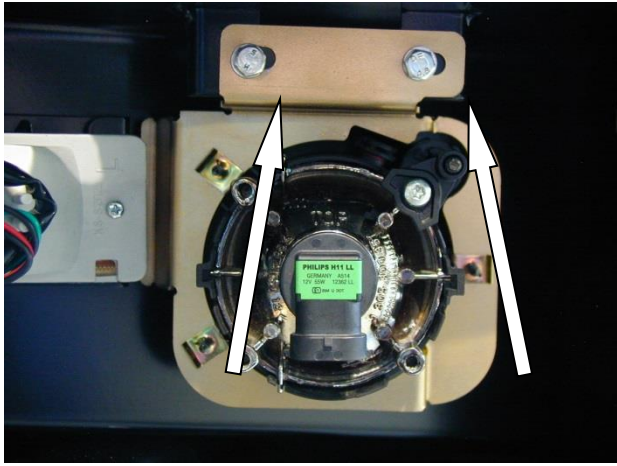
24. Fit the fog light insert assembly to the bar using two M6 x 20mm black bolts, M6 flat black washers and M6 black spring washers.



25. For vehicles with fog lights, fit the U-type nuts to any three of the four holes on the fog light bracket.



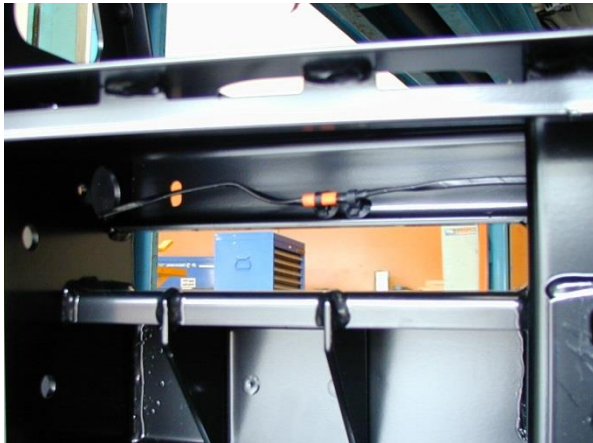
26. Using the original TORX head screws removed with the fog lights earlier; fit the fog lights into the fog light brackets.



27. Clip the fog light assembly into the indicator bracket and fix in place using two M6 x 20mm black bolts, M6 flat black washers and M6 black spring washers.

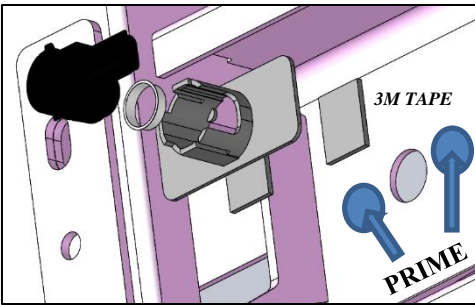
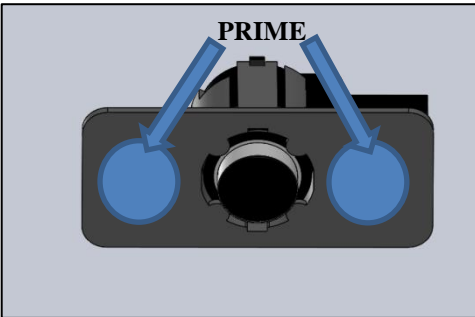


29. If fitted, re-fit the head light washers into the bar using the original spring clips.



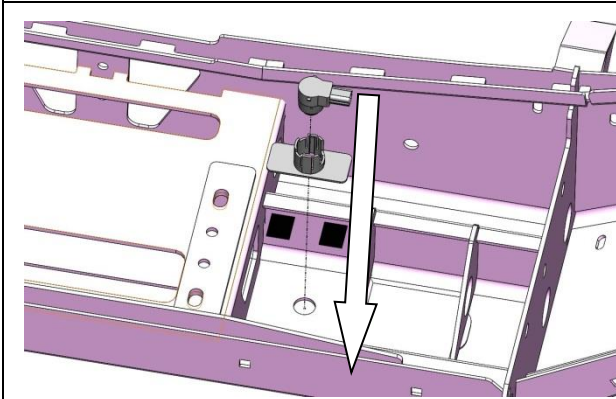
30. Run the fog light wiring loom through the bullbar. Remove the plastic clips as necessary.

PARKING SENSOR FITMENT (NOTE: IF NO PARKING SENSORS ARE FITTED, PLEASE USE BLANKING PLUGS AND CONTINUE TO STEP 36)

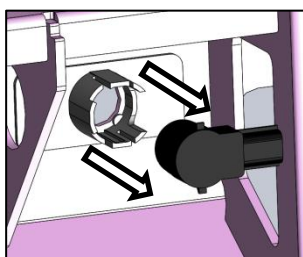


For each parking sensor: Ensure both the parking sensor bracket and mating area of the bull bar are thoroughly cleaned with Scotch Brite, soap and water and surfaces are completely dried off.

31. Using the priming pen supplied, prime the mating faces of both the bracket and the bar.
32. Remove the backing tape from one side of the double sided tape pads and apply to each of the mating faces of the bracket using the picture as an indication. Ensure the clear silicon grommet is fitted to the sensor.



33. Ensuring the clear silicon grommet remains in place on the end of the sensor. Remove the remaining 3M tape backing. Carefully align the parking sensor into the hole in the bull bar ensuring the sensor faces the correct direction.

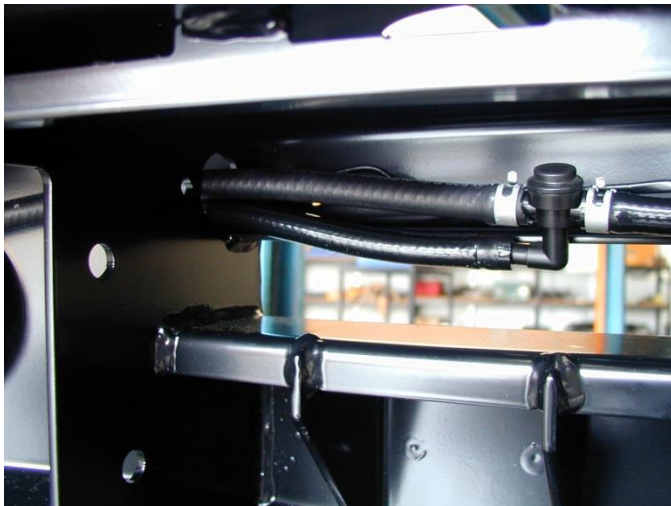
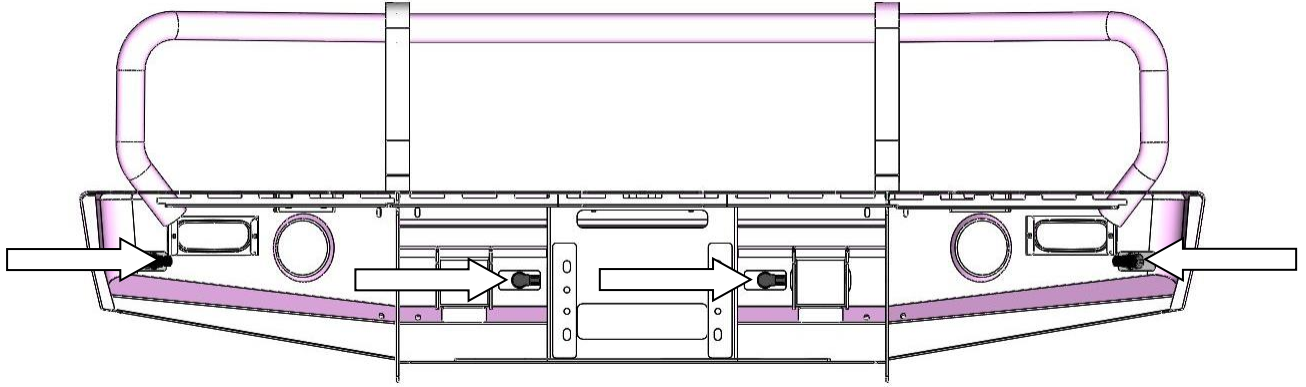


NOTE: Ensure sensors are centred in bull bar hole as indicated in the picture to the left. Misalignment applying side pressure to the sensor may cause malfunction of sensor.

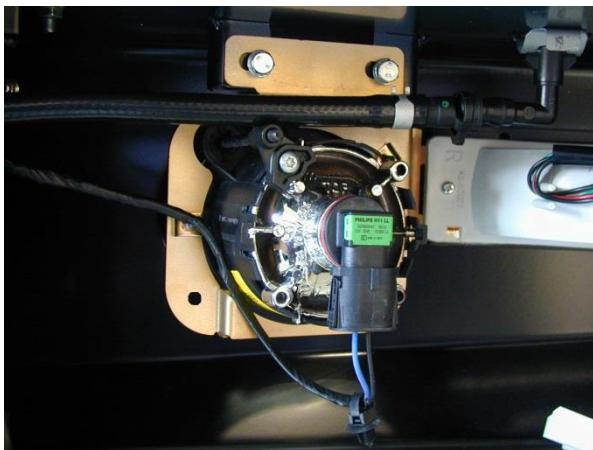
34. Apply pressure to the bracket for at least 60 seconds.
- NOTE: Full adhesion is obtained after 72 hours.**

35. Unclip the parking sensor from the retainer as indicated in the picture on the left. Fit the loom to the sensor and refit the parking sensor into the retainer.

Note: Ensure that the parking sensors and mouldings are orientated as per the original fitment in the OEM bumper bar.

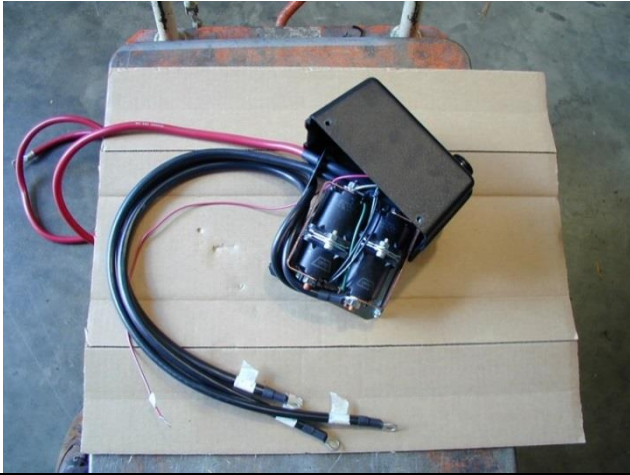


- 36. Run the hoses removed from the bumper through the bar being careful not to kink any lines.
- 37. Secure to bar with cable ties.



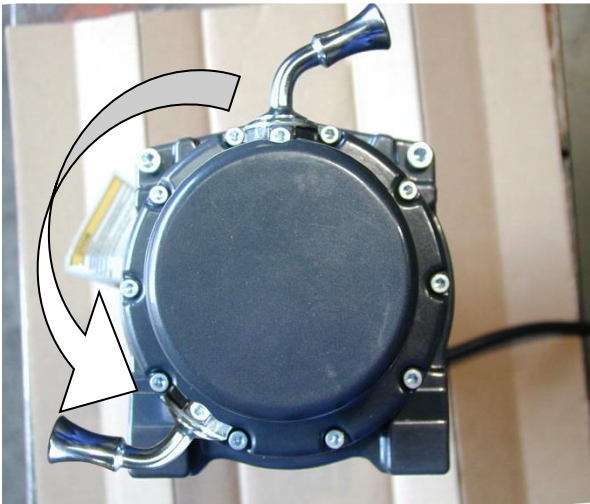
- 38. Fit the fog light loom to the fog light and fit the washer hose to the headlight washer. Cable tie the headlight loom and the washer hose together making sure they are away from sharp edges.

WINCH FITMENT

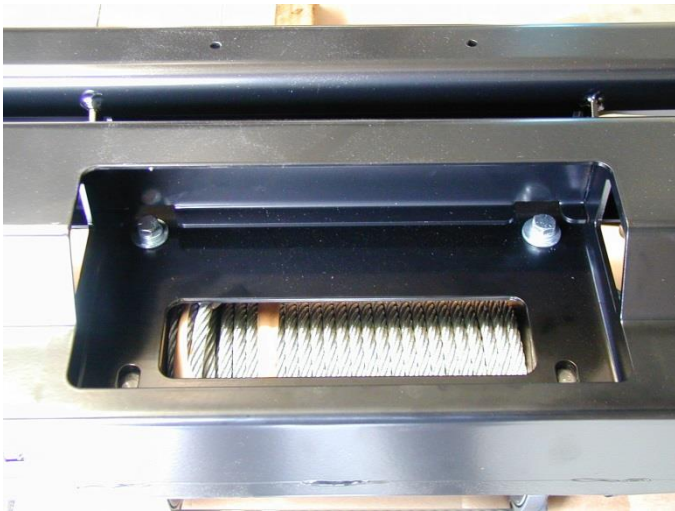


IF NOT FITTING A WINCH GO TO STEP 51

39. If fitting a Warn winch, replace the three cables in the control box marked A, F1 and F2 with the three 850mm cables from the fitting kit. Mark the new cables as per the original cables.



40. Remove the cap head screws retaining the gearbox to the winch drum. Carefully lift and rotate the gearbox 144 degrees counter clockwise (four hole-spacing's) and re-fit the cap screws.



41. Lay the winch on a suitable surface and place the bull bar on top so that the wire rope will feed from the bottom.
42. Using two 3/8" x 1 1/2" bolts, M10 flat and spring washers, attach the bull bar to the winch through the top two holes



43. Using a 12mm drill bit, drill two new holes in the roller fairlead 25mm below the original holes.

Drill the new hole 25mm below original



44. Remove the cir-clips from the bottom of the vertical rollers of the fairlead and push the pin upwards. Push the vertical rollers inwards and using two 3/8" x 1 3/4" bolts M10 flat and spring washers, attach the roller fairlead to the bar.
45. Replace the circlips on the vertical rollers.



46. Insert the two rubber grommets into the top face of bull bar.

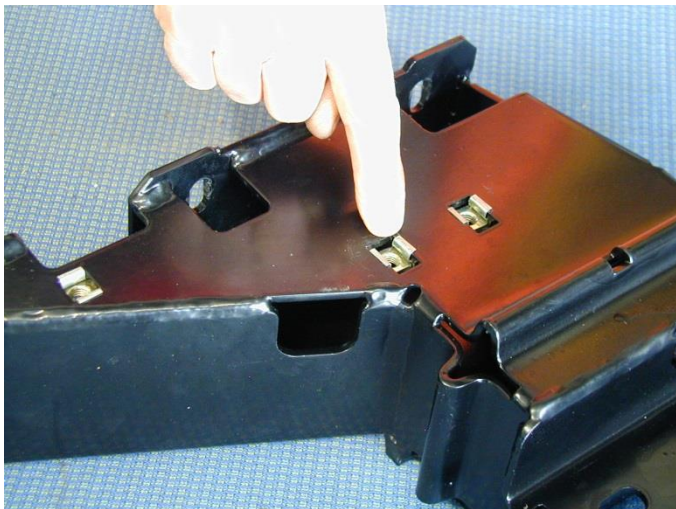


47. Attach the control box to the control box bracket.
48. Fit the control box to the bar with two M8 x 20mm bolts, M8 flat washers and M8 flange nuts.

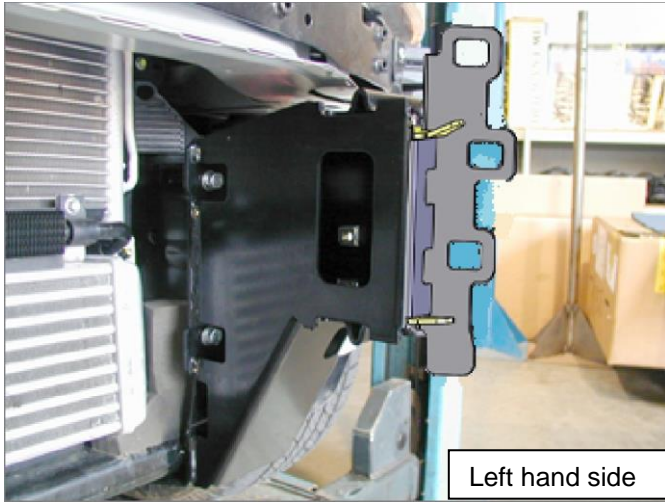


49. Run the cables through the rubber grommets and connect to the winch as per wiring diagram supplied with the winch.
50. Using cable ties, fix the cables away from any moving, sharp or hot surfaces.

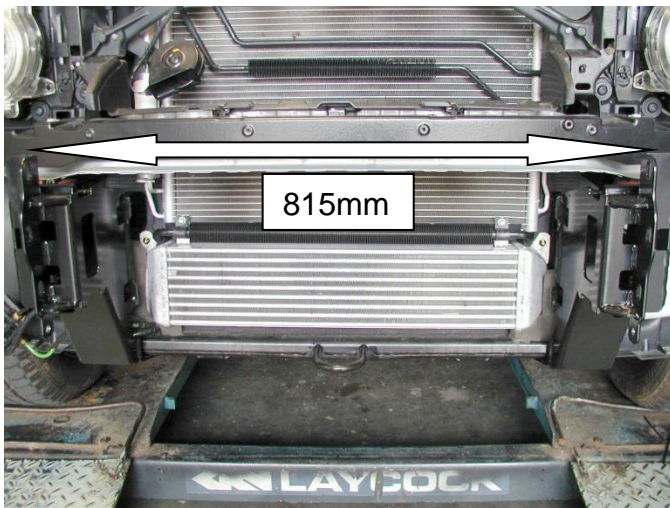
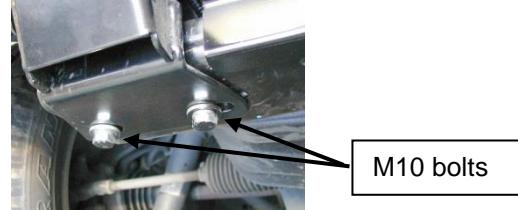
BULL BAR FITMENT TO VEHICLE



51. Fit the six M8 cage nuts to the impact absorbers.



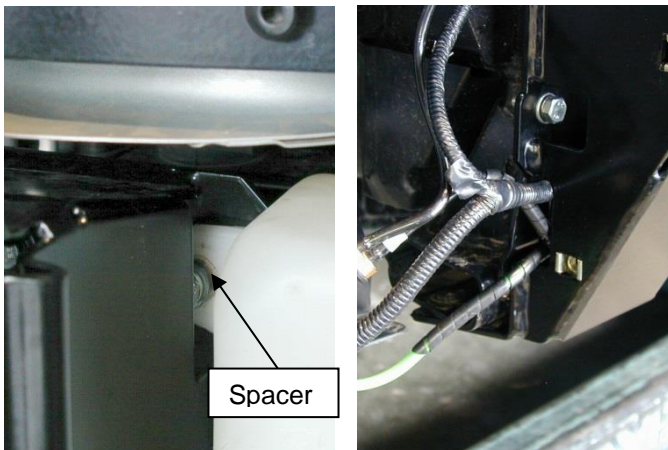
52. Mount both the impact absorbers to the vehicle using four (a side) M8 x 25mm bolts, M8 flat and spring washers in the front face, two (a side) M10 x 35mm bolts, M10 flat washers, M10 spring washers and M10 flange nuts in the underside. (DO NOT TIGHTEN)



53. Centralise the mounts so that the surface that mounts to the bull bar is vertical.

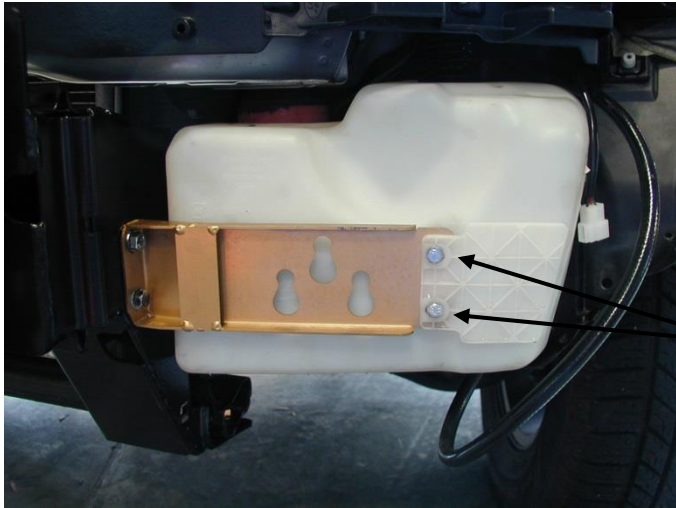
54. The mounts must be positioned so that there is 815mm gap between the outside surfaces of the bull bar mounting face.

55. Tighten all the bolts.



56. On the left hand side, the washer bottle sits in front of the mount face. (Make sure that the metal spacer in the washer bottle tag remains in place)

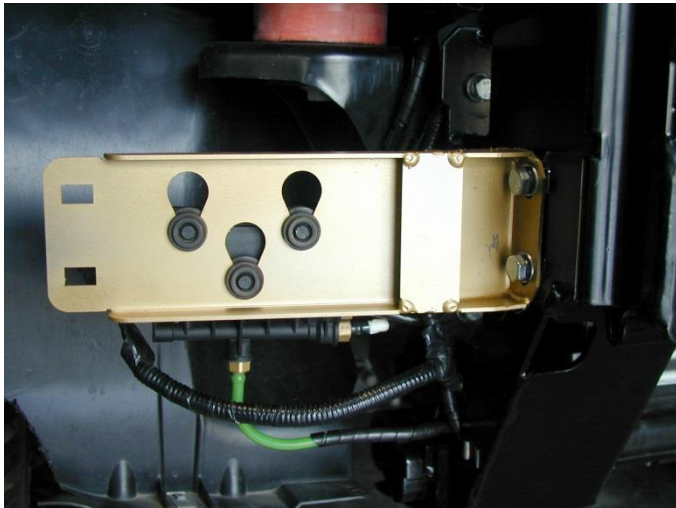
57. On the right hand side, the air lines on air suspension models run through the gap in the impact absorber backing plate.



58. Install two M6 cage nuts into one of the Washer bottle brackets.

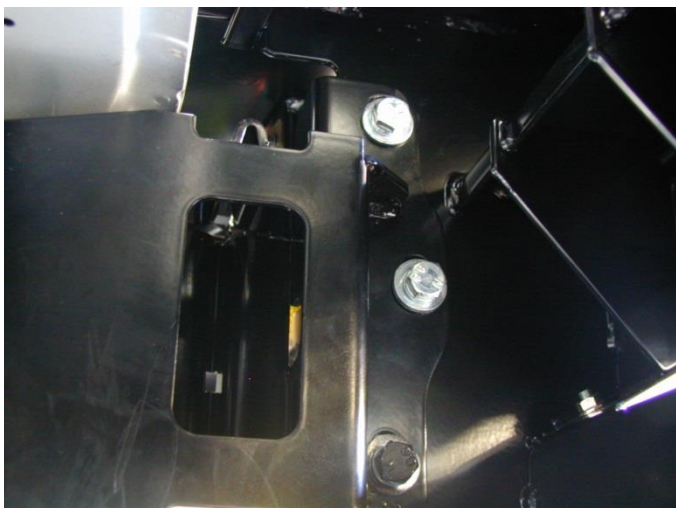
59. Attach the washer bottle bracket with the cage nuts installed to the left hand side impact absorber using two M8 x 20mm bolts, M8 flat and spring washers.

60. Fix the washer bottle to the bracket using two M6 x 20mm black bolts, M6 flat black washers and M6 black spring washers.

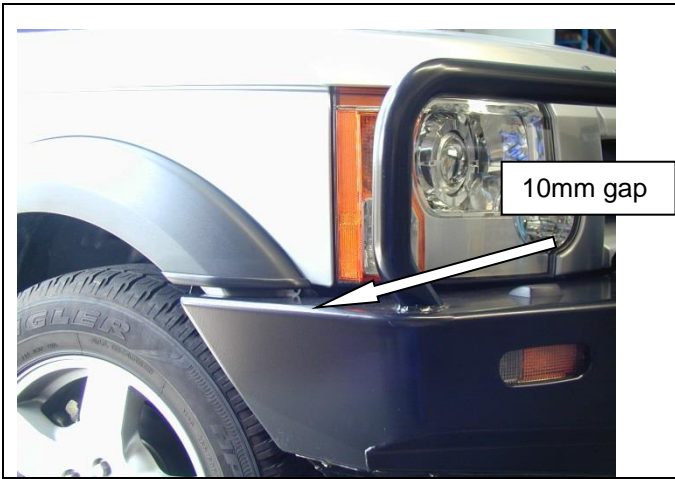


61. Attach the washer bottle bracket without the cage nuts to the right hand side impact absorber using two M8 x 20mm bolts, M8 flat and spring washers.

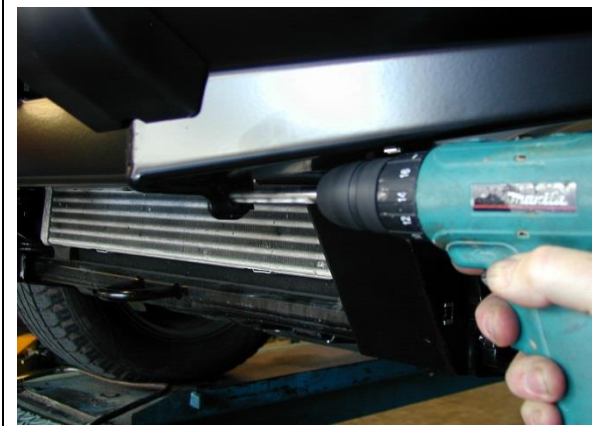
62. On vehicles equipped with air suspension, attach the solenoid pack to the bracket.



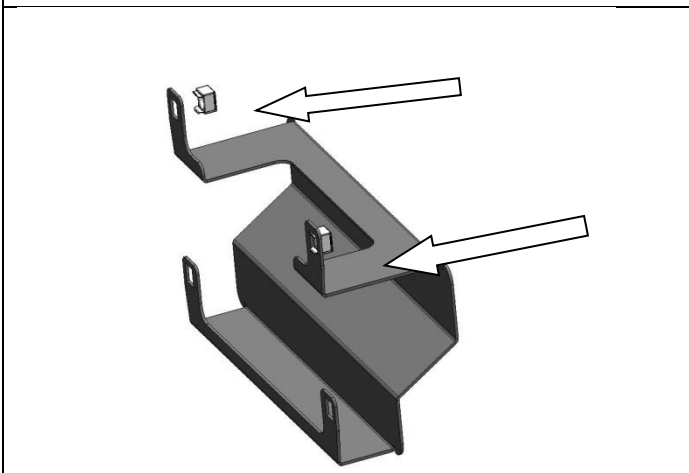
63. With the help of another person, lift the bull bar into position and fix in place using 3 (a side) M10 x 35mm bolts, M10 flat washers, M10 spring washers and M10 flange nuts. Do not tighten.



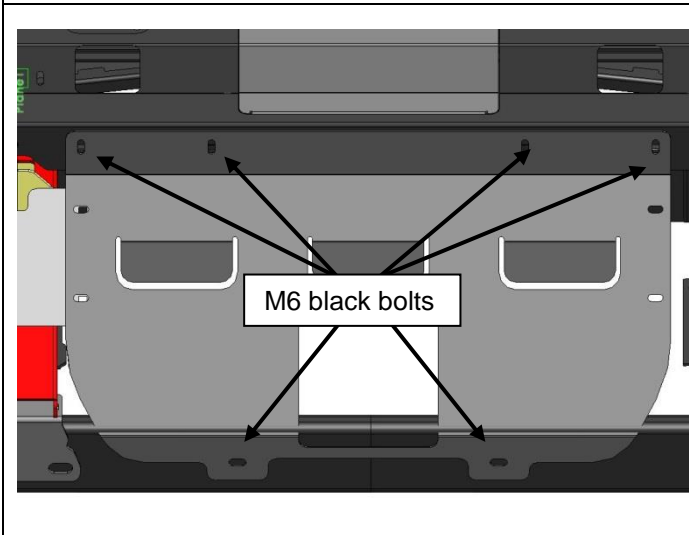
64. Adjust the bar so there is approximately a 10mm gap between the bull bar wing and the bottom of the flare. When the bar is in the correct position tighten the bolts.



65. Using a 10mm drill bit; drill the pinning bolt hole using the hole in the upright as a guide.
 66. Fix in place using a M10 x 35mm bolt, M10 flat washer, M10 spring washer and M10 flange nut. Repeat for the other side.
 67. Connect the indicators to the indicator loom. Re-connect the fog light loom, headlight washer hose and the ambient temperature sensor.

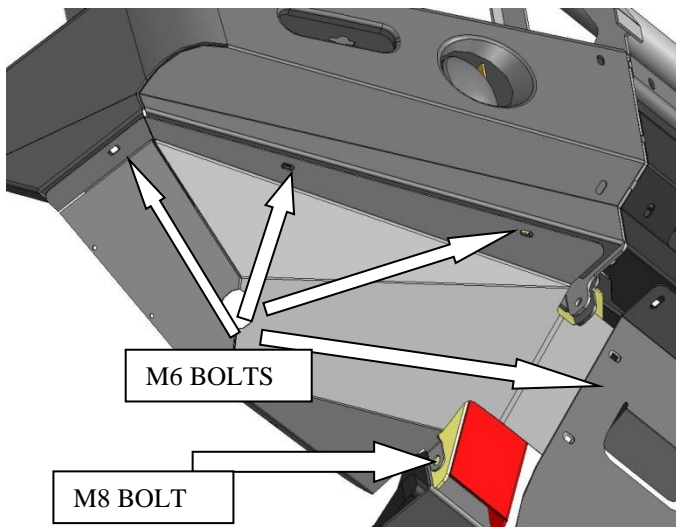


68. If no winch is fitted fit fairlead cover panel now. Insert 4 of the M10 cage nuts as shown and secure from inside bar (winch mounting holes) using 4 X M10 SEMS bolts.



69. Fit the stone tray to the bar using six M6 x 20mm black bolts, M6 black flat washers and M6 black spring washers.

WASHER BOTTLE GUARD FITMENT TO BULL BAR



70. Fit two M6 cage nuts to back surface of guards. Fit the washer bottle stone guards to both sides of the bull bar.
71. Use the three M6 x 20mm black bolts, M6 black flat washers and M6 black spring washers to attach the guards to the wing along the front and side edges .
72. Attach the M8 x 20mm black bolt , M8 black flat washer and M8 black spring washer to attach the guard to the impact absorber as shown .



73. Trim the inner guard in line with the lower edge of the washer bottle cover.
74. Using the washer bottle guard as a template mark the position of two cage nuts located on the rear fold with a paint marker onto the fender line.
75. Drill using a 8 mm drill bit - drill the two holes.



76. To fit the license plate to the bar, first push two nylon plugs into the front face of the top pan. Fit the license plate using two pan head self-tapping screws.
77. Ensure all lights are functioning correctly and all bolts are fully tightened.

Also supplied in the kit are two 16mm plugs. The two plastic plugs are for the holes in the top surface of the wings if no CB aerials are fitted.

ONCE BAR IS FITTED:

- Ensure all bolts are tensioned correctly.
- All wiring is clear of sharp edges or moving surfaces and secured properly.
- Piping is secured well away from sharp or moving components.
- Check operation of winch, if fitted.
- Check all wiring and connections to turn signal lamps, sensors, headlamp washers etc. are functioning correctly.
- Misalignment of parking sensor to hole in bull bar may cause malfunction, if fitted.
- Test operation of parking sensors after fitment, if fitted.

Note:

If parking sensors are fitted, do not add any accessories to the Bull Bar on or around the sensors, this may affect the function of the sensors.

Sensors may not function well under the following conditions;

- After the vehicle, has been sitting out in hot or cold weather.
- When the system is affected by electrical equipment or devices generating an ultrasonic wave.
- When operating in bad weather.

